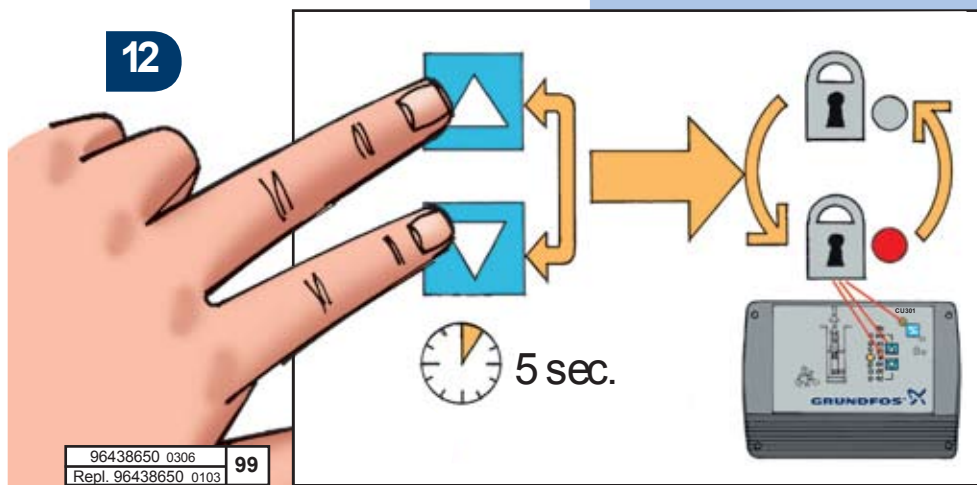
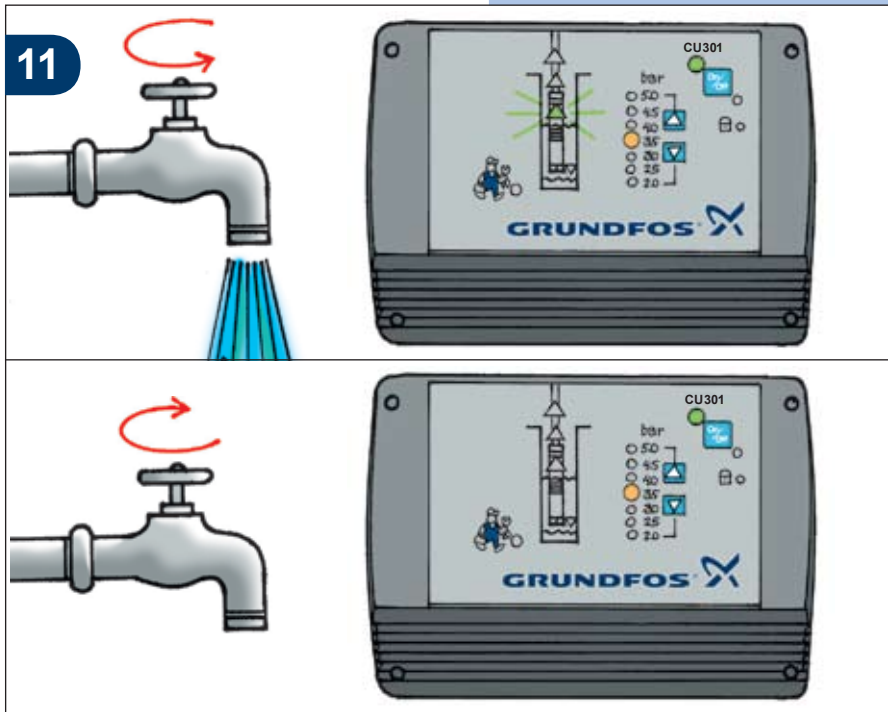
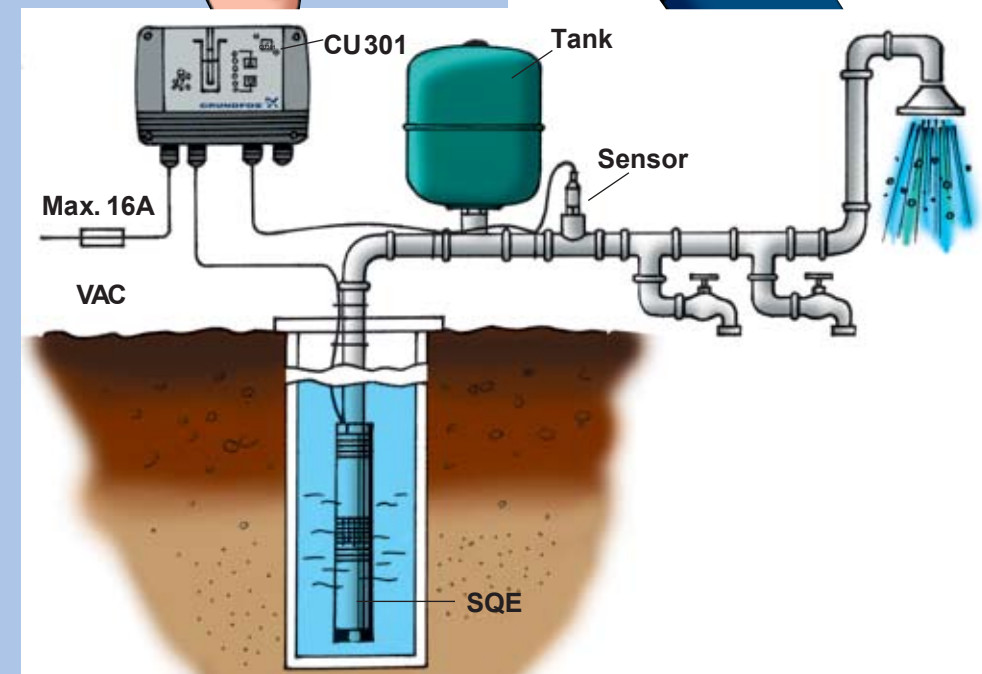


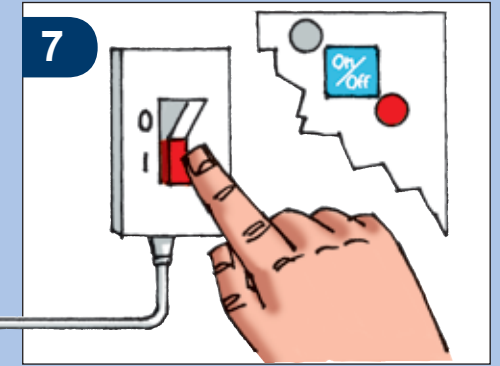
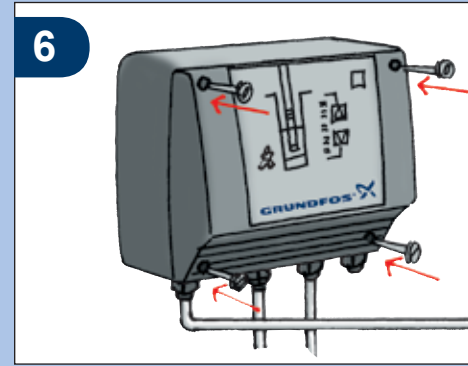
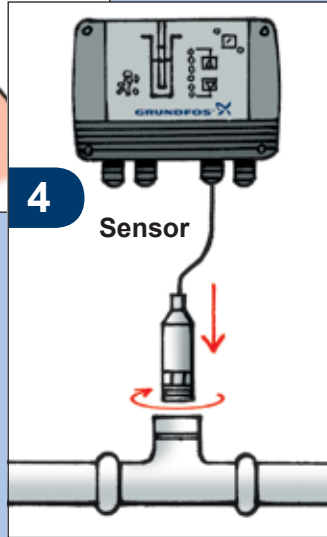
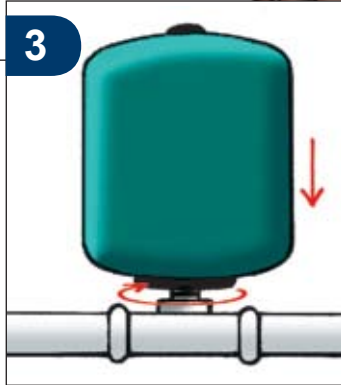
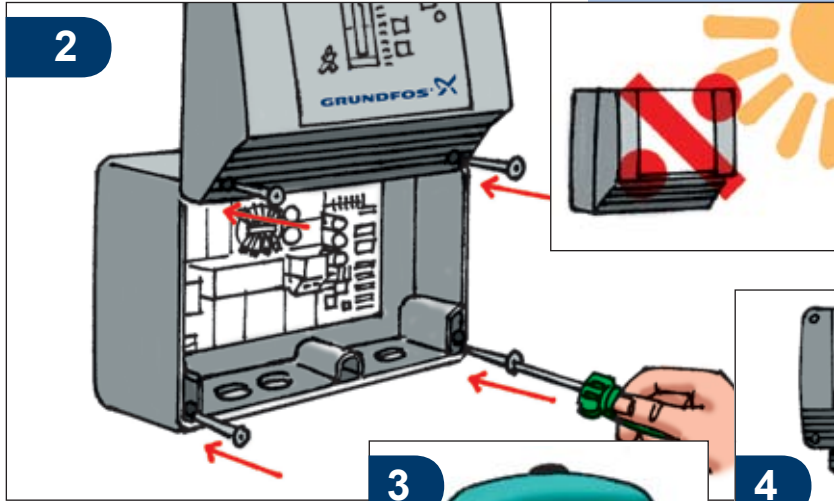
CU301



96438650 0306  
Repl. 96438650 0103

99





**8**

| Pressure (bar) | Pressure (bar) |
|----------------|----------------|
| p = 3.5        | 5.0            |
| p = 3.2        | 4.5            |
| p = 2.8        | 4.0            |
| p = 2.5        | 3.5            |
| p = 2.1        | 3.0            |
| p = 1.8        | 2.5            |
| p = 1.4        | 2.0            |

